



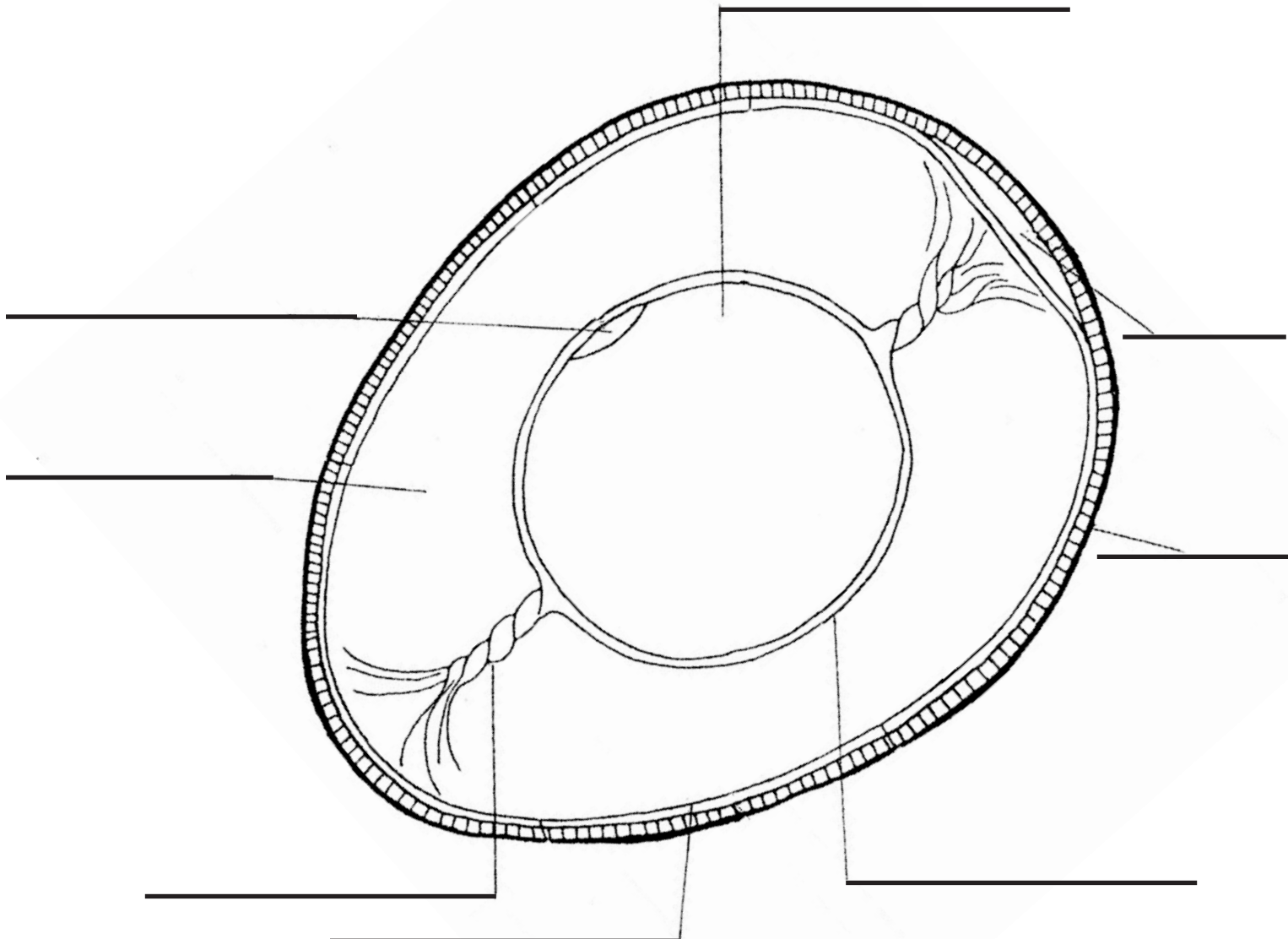
Explore the Inside of an Egg

Scientists Observe

The diagram shows the anatomy (parts) of an egg. Every part has an important job.

Color each part of the egg a different color.

Use the word list and definitions to label the diagram.



- air cell
- germ spot

- albumen or white
- vitelline membrane

- yolk
- chalaza

- shell
- membranes



Definitions

Air Cell - Small pocket of air that forms between the membranes at the egg's wider end. A source of air for the chick when it starts to breathe soon before it hatches.

Albumen - Commonly known as the egg white. Surrounds the yolk. Composed of water and dissolved protein (albumin). Provides food for the growing embryo. Keeps embryo moist and cushioned when the hen sits on the egg and turns it.

Chalaza (plural - chalazae) - Two ropes of egg white that hold the yolk in the center of the egg.

Germ Spot - The white spot on the yolk that shows if an egg is fertile or not.

Membranes - Two thin, transparent layers of protein. One holds the yolk. One holds the albumen. Membranes keep bacteria from getting inside.

Shell - Hard outer covering, made of calcium carbonate. Protects the growing chick.

Vitelline Membrane - A transparent membrane surrounding the yolk. It is composed mostly of protein fibers.

Yolk - Stored food to feed the embryo while it grows. Contains vitamins and minerals, some fat, and more protein than the white. Almost used up by hatching time.

**University of Illinois Extension
Fulton-Mason-Peoria-Tazewell Unit**
extension.illinois.edu/fmpt
309-347-6614

**Embryology in the Classroom
Resources**
go.illinois.edu/chirp

How do you say chalaza?

ka-LAY-za

How do you say chalazae?

ka-LAY-zee

COLLEGE OF AGRICULTURAL, CONSUMER & ENVIRONMENTAL SCIENCES

University of Illinois | U.S. Department of Agriculture | Local Extension Councils Cooperating University of Illinois Extension provides equal opportunities in programs and employment. Issued in furtherance of Cooperative Extension work, Acts of May 8 and June 30, 1914, in cooperation with the US Department of Agriculture by the Director, Cooperative Extension Service, and University of Illinois.