

Putting a Foot Up

A stable, well constructed foot stool is a handy piece of furniture to have for use in the house or shop.

Woodworking Skill: Measuring, cutting, drilling, sanding, assembling with glue and screws, finishing

Life Skill: Planning and organizing

Success Indicator: Builds a foot stool

Tools Needed: Hand saw, screwdriver, electric or hand drill, pilot hole bits, goggles or safety glasses

Getting Started

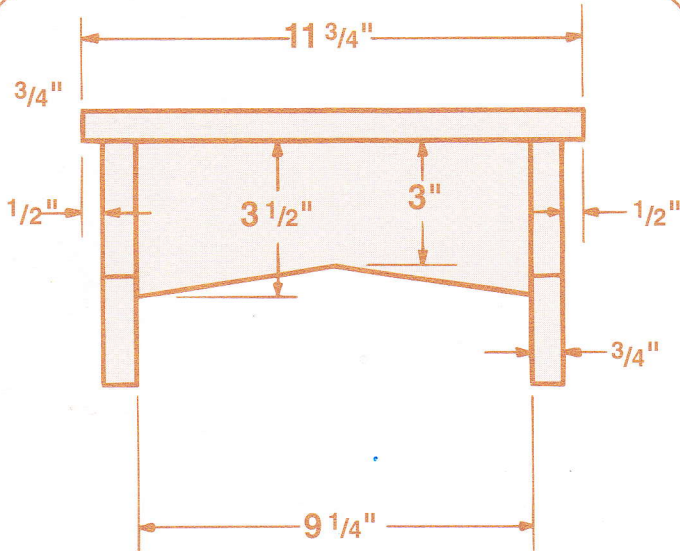
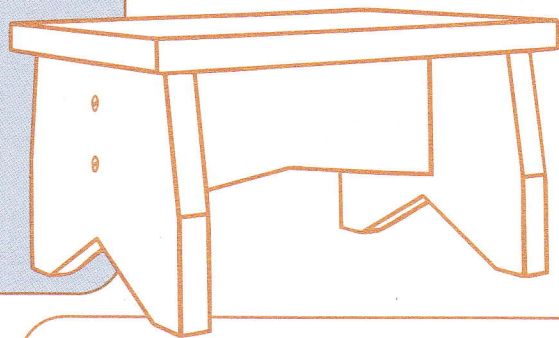
Use the directions for making the stool or use the directions from another resource such as a woodworking magazine or book.

Plans: Building a Foot Stool

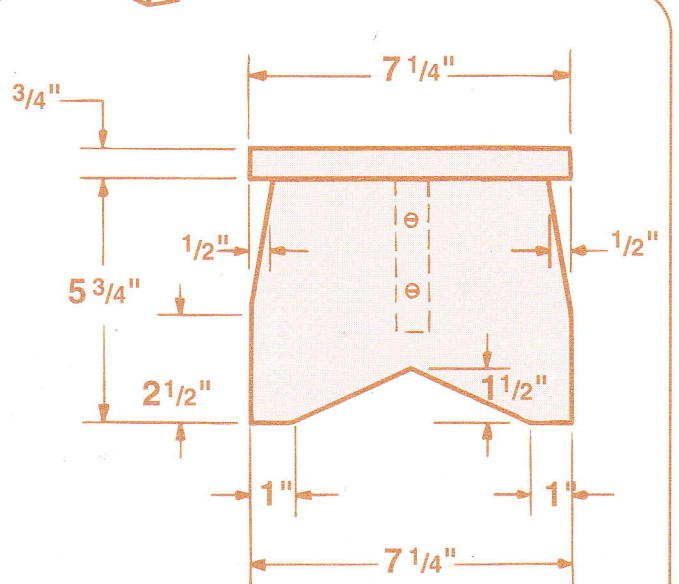
- Measure and mark the pieces for the foot stool.
- Cut out the pieces.
- Drill holes for the screws and countersink them so that the screwheads are just below the wood surface.
- Sand the pieces.
- Assemble with glue and screws.
- Finish as desired.

Bill of Materials

Number	Item	Finished Dimensions T W L	Materials
1	top	3/4" x 7-1/4" x 11-3/4"	1" x 8" pine
2	legs	3/4" x 7-1/4" x 5-3/4"	1" x 8" pine
1	stretcher	3/4" x 3-1/2" x 9-1/4"	1" x 4" pine
8	#8 screws	1-1/2" flathead	wood screws
	sandpaper	medium & fine grade	
	glue	contact cement	



Side View



End View